



TABLE OF CONTENTS ACCESSORY EQUIPMENT

ELECTRICAL EQUIPMENT INSTALLATION MANUAL

INSTALLATION-KIT- PAGE

PARKING BRAKE SIGNAL LAMP	FS910
ROADLAMP	FS915
BACK-UP LAMP	FS930
TURN SIGNAL	FS960
HEATER & DEFROSTER-FRESH AIR	FS970, FS971
RADIO RECEIVER (8 TUBE)	FS985
RADIO RECEIVER (SUPPRESSION)	FS986
ANTENNA	FS990

ACCESSORIES
FS901 & UP

1955 FORD
SPORTS CAR



TABLE OF CONTENTS

STANDARD AND RPO EQUIPMENT

ELECTRICAL EQUIPMENT INSTALLATION MANUAL

INSTALLATION

PAGE

WIRING DIAGRAM - CIRCUIT SYMBOLS	FS50
WIRING DIAGRAM - IGNITION CIRCUIT	FS53
WIRING DIAGRAM-STARTING, CHARGING & AUTOMATIC TRANS. CIRCUITS	FS55
WIRING DIAGRAM - POWER CIRCUIT	FS56
WIRING DIAGRAM - EXTERIOR & INSTRUMENT LAMP CIRCUITS	FS60
WIRING DIAGRAM - GAGE CIRCUIT	FS65
WIRING DIAGRAM-HEATER BLOWER, & ELECT. CLOCK CIRCUITS	FS66
WIRING DIAGRAM-INTERIOR LAMP CIRCUIT	FS70
WIRING DIAGRAM-HORN & CIGAR LIGHTER CIRCUITS	FS75
WIRING DIAGRAM - OVERDRIVE CIRCUIT	FS85
WIRING DIAGRAM - TURN SIGNAL INDICATOR CIRCUIT	FS90
WIRING DIAGRAM - 4-WAY SEAT CIRCUIT	FS95
WIRING DIAGRAM - WINDOW REGULATOR CIRCUIT	FS98
ENGINE ASSEMBLY -(STARTER, GENERATOR, DISTRIBUTOR, COIL, WIRING, ETC.)	FS201
FINAL ASSEMBLY-(BATTERY, WIRING, ETC.)	FS301
FINAL ASSEMBLY -(HEADLAMP DOOR & BEAM ADJUSTMENT)	FS451
BODY ASSEMBLY - ALL MODELS	FS501
BODY ASSEMBLY - (DIMMER SWITCH, STARTER RELAY, CIRCUIT BREAKER, WIRING ETC.)	FS502
BODY ASSEMBLY -(HEADLAMPS, HORNS, REGULATOR, RELAY, WIRING, ETC.)	FS503
ELECTRIC SEAT ADJUSTER (4-WAY)	FS504
BODY ASSEMBLY - ALL MODELS (LICENSE LAMP, REAR LAMP, WIRING, ETC.)	FS601
INSTRUMENT PANEL - ALL MODELS (CLUSTER, CLOCK, COURTESY LAMP, WIRING, R.P.O. TURN SIGNAL & ETC.)	FS701
INSTRUMENTS & CONTROLS	FS721
AUTOMATIC TRANSMISSION WIRING	FS801
OVERDRIVE	FS811
BACK UP LAMP	FS855
ELECTRIC WINDOW REGULATOR	FS891
INSTALLATION - TACHOMETER	FS891

WIRING
DIAGRAMS
FS50 TO FS100

ENGINE
FS201 TO FS300

FINAL
FS301 TO FS500

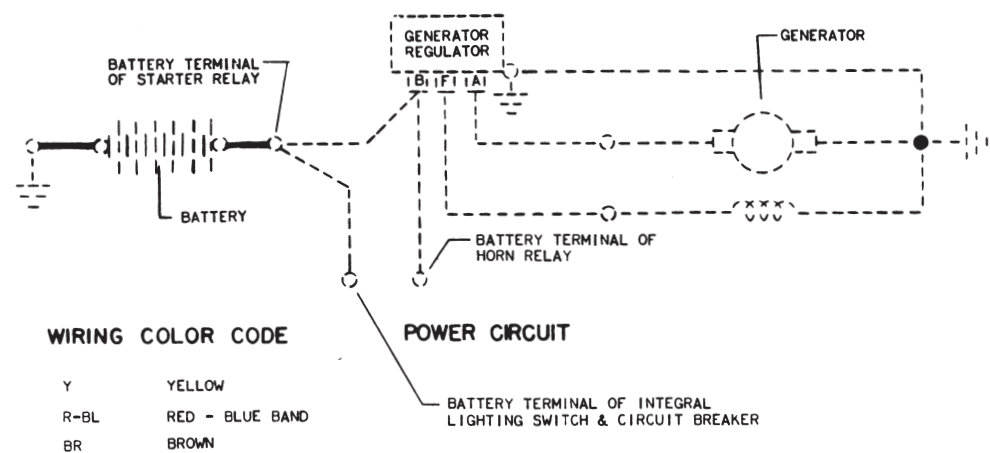
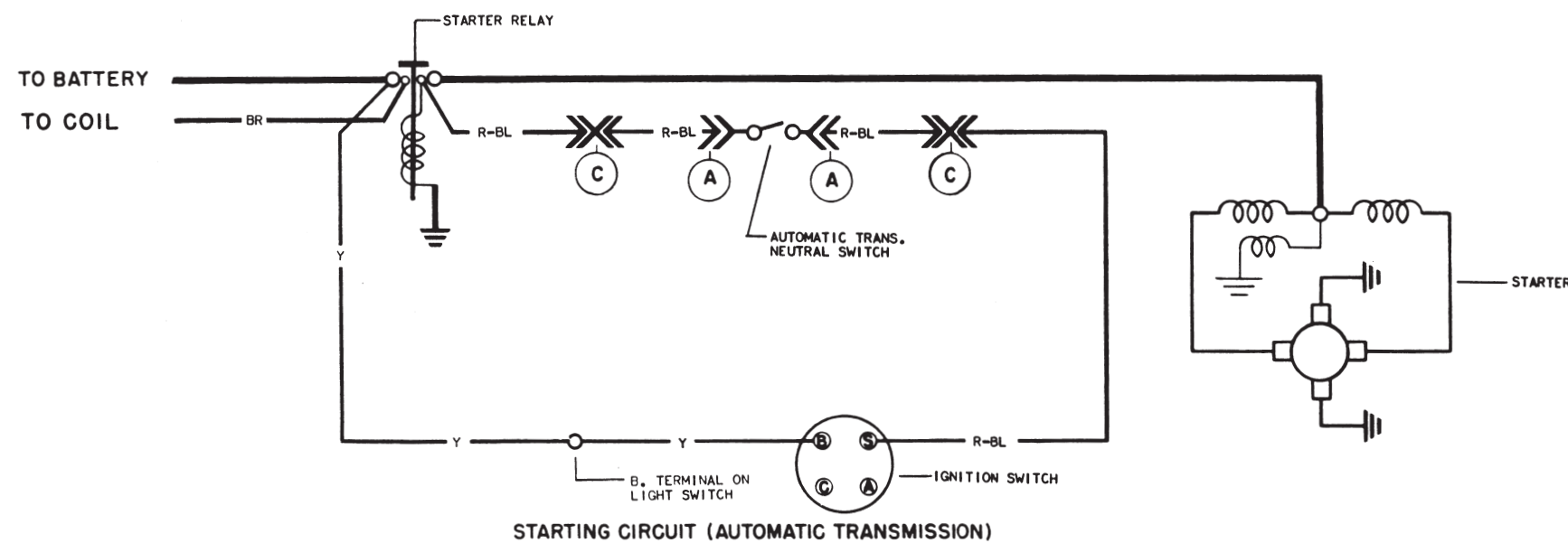
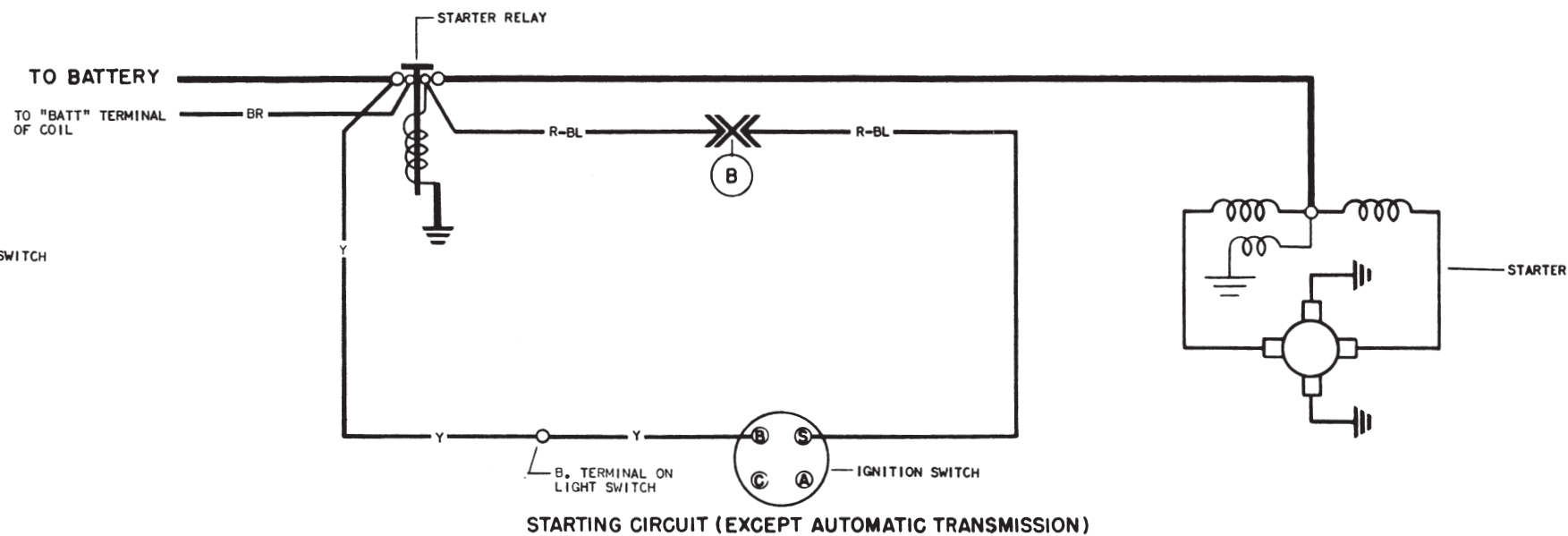
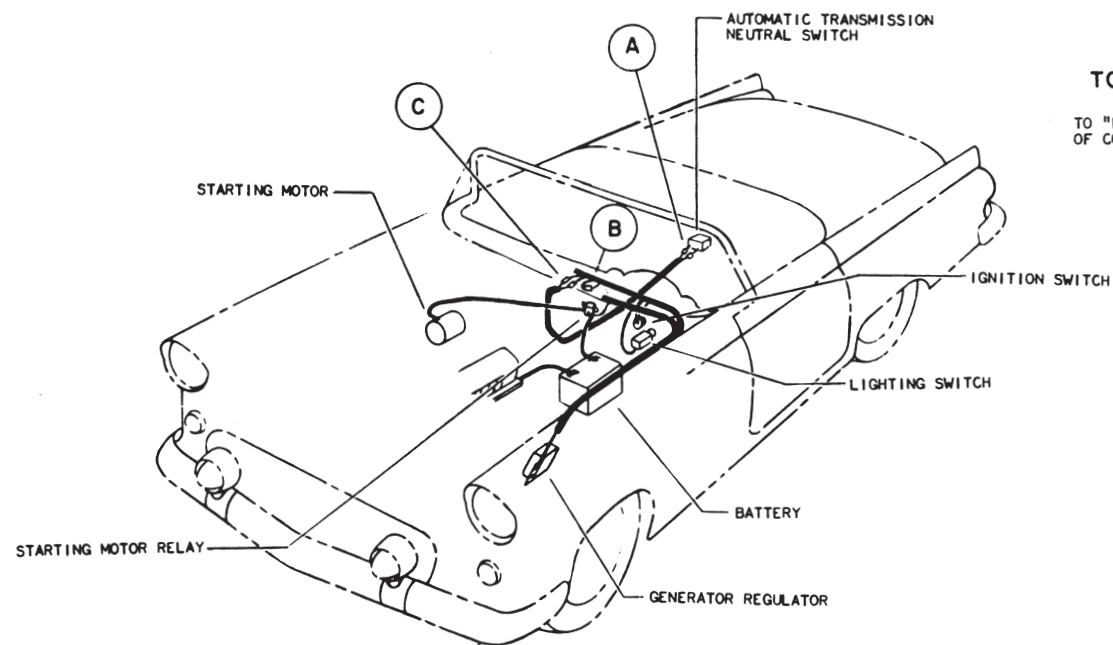
BODY
FS501 TO FS700

INST. PANEL
FS701 TO FS800

R.P.O.
FS801 TO FS900

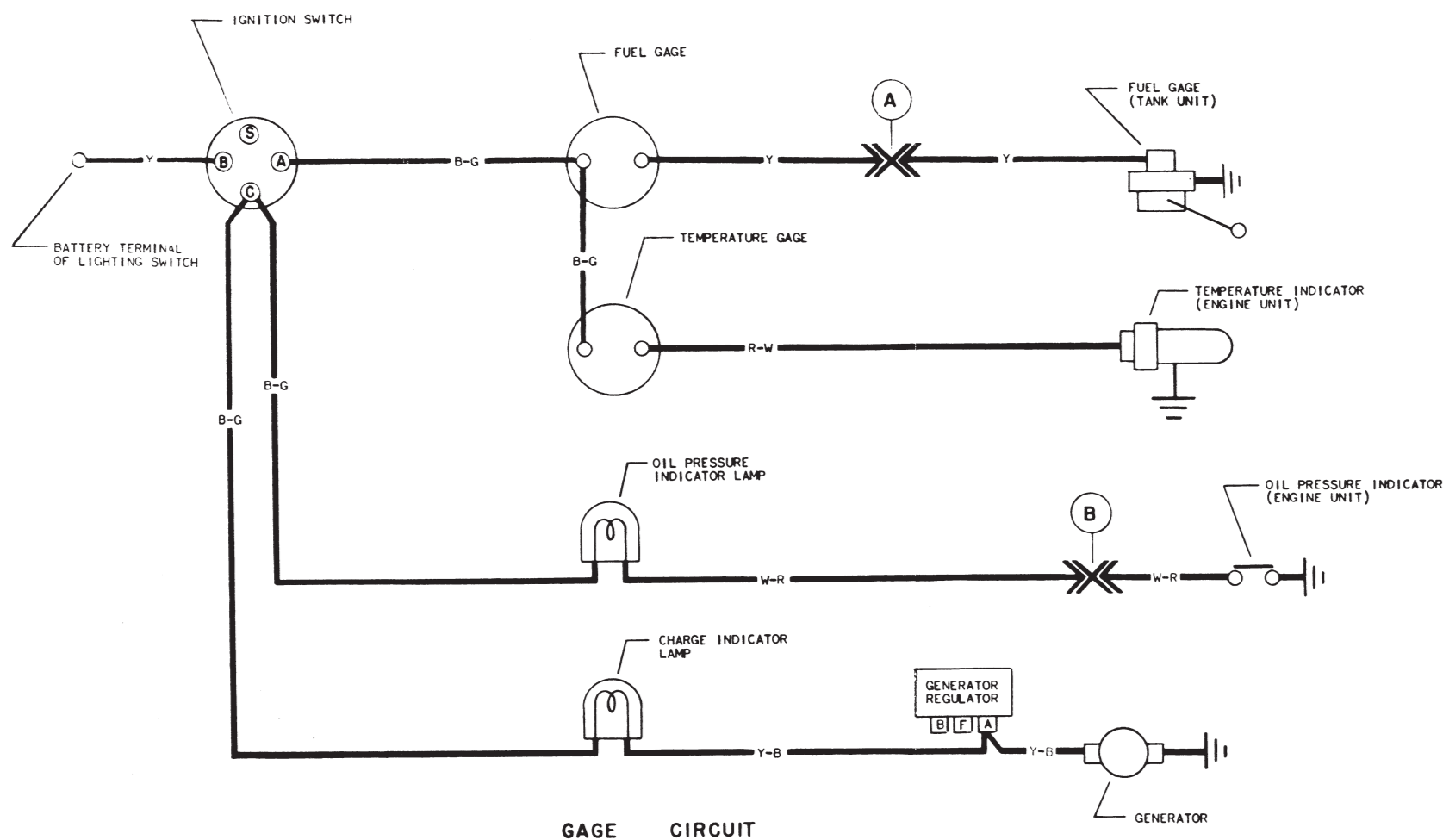
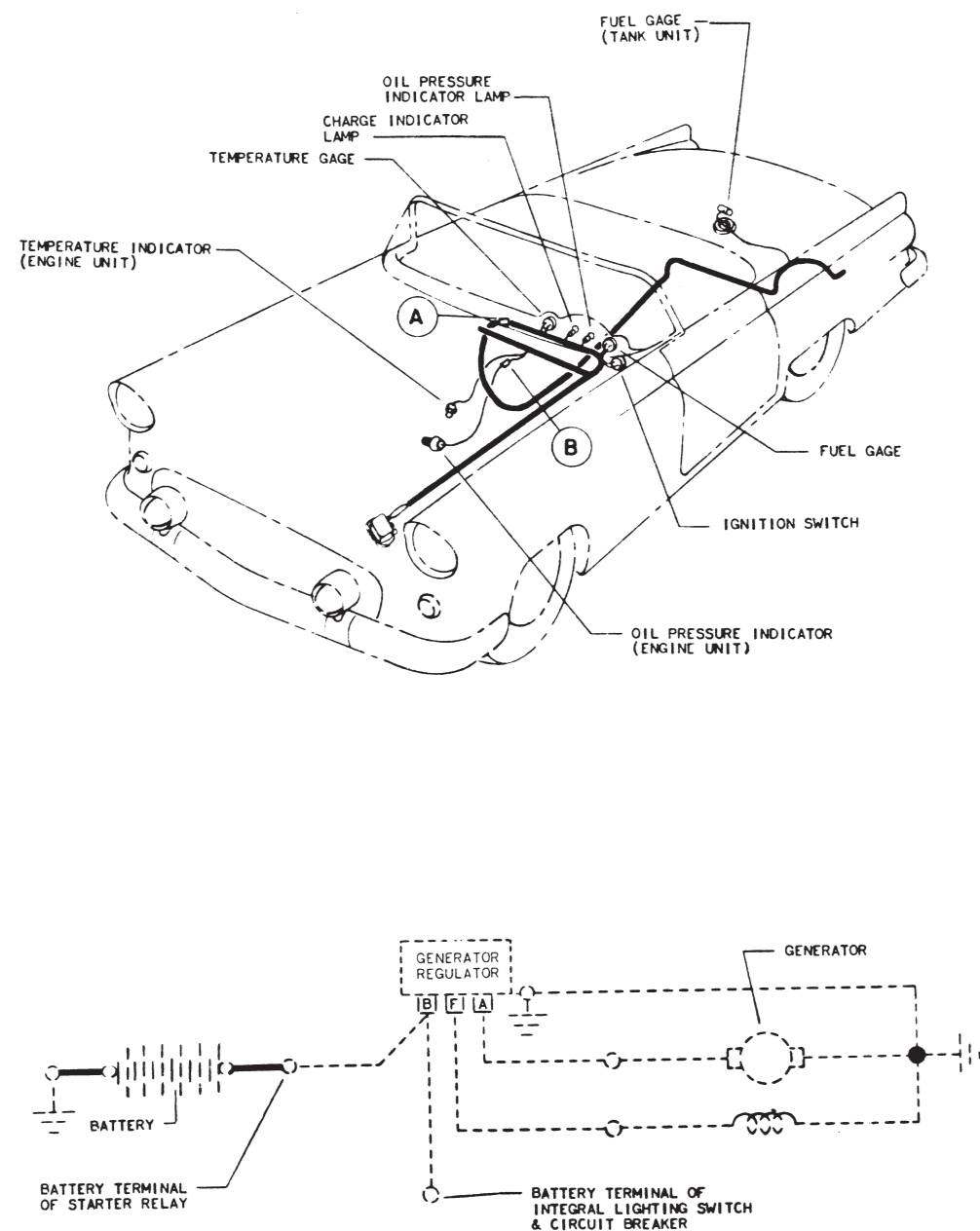
1955 FORD
SPORTS CAR

PAGE - FS10



CIRCLED LETTERS THUS INDICATE CONNECTIONS **(A)**

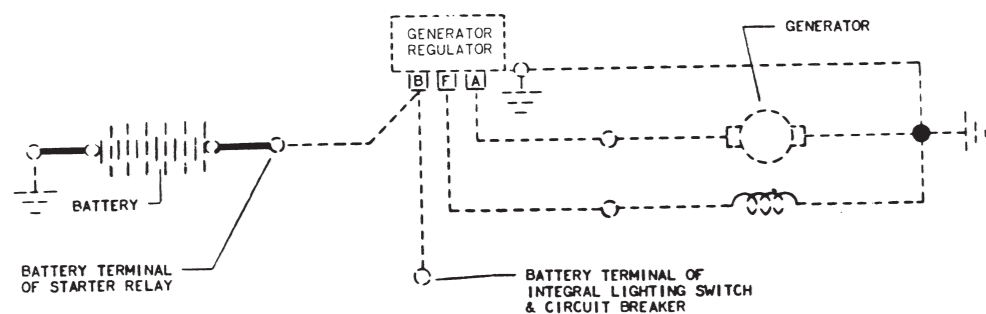
WIRING DIAGRAM - STARTING CIRCUIT MODELS ÷ ALL



WIRING COLOR CODE

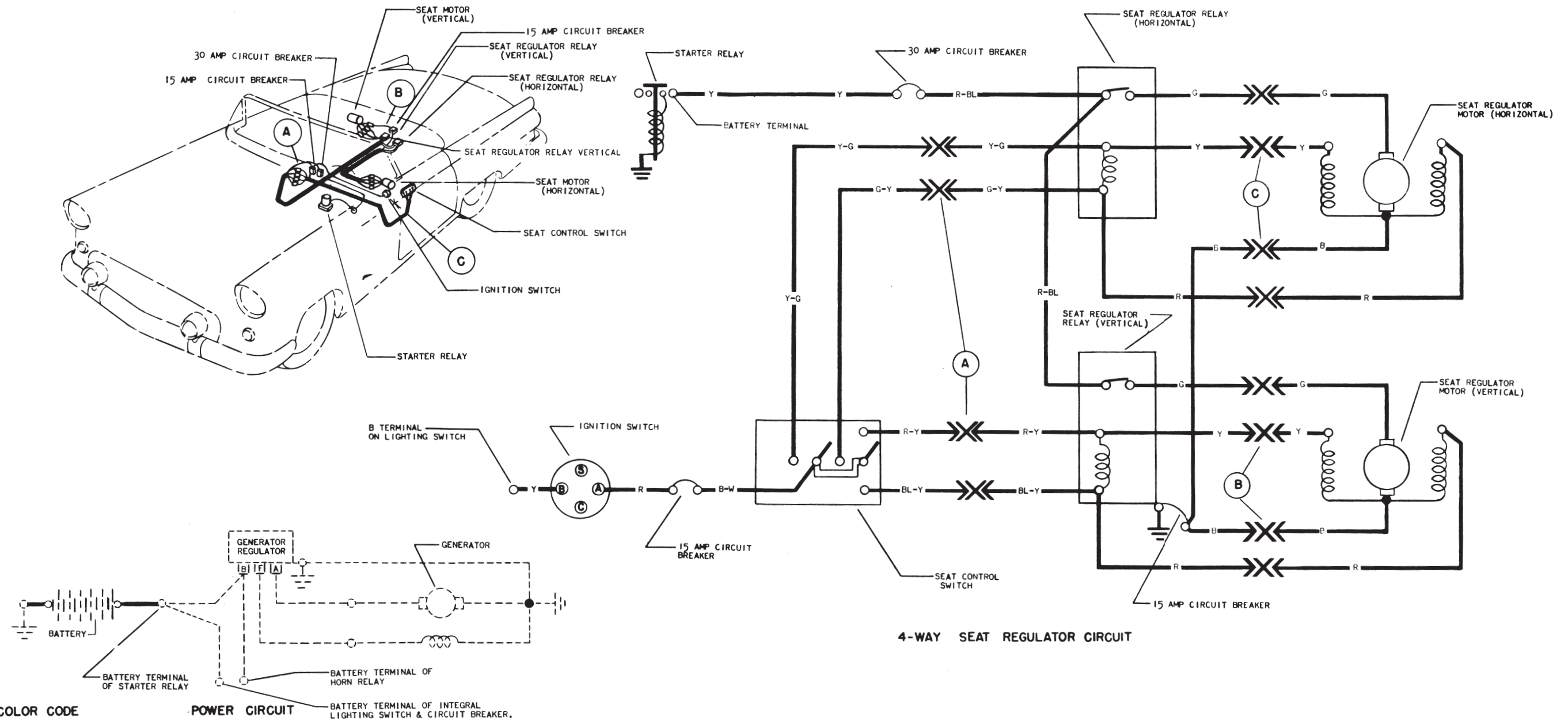
- Y YELLOW
- B-G BLACK - GREEN BAND
- R-W RED - WHITE BAND
- Y-B YELLOW - BLACK BAND
- W-R WHITE - RED BAND

POWER CIRCUIT



CIRCLED LETTERS THUS INDICATE CONNECTIONS **(A)**

WIRING DIAGRAM - GAGE CIRCUIT
MODELS - ALL



WIRING COLOR CODE

R-BL	RED-BLUE BAND
G	GREEN
Y-G	YELLOW-GREEN BAND
G-Y	GREEN-YELLOW BAND
B	BLACK
R	RED
B-W	BLACK-WHITE BAND
R-Y	RED-YELLOW BAND
BL-Y	BLUE-YELLOW BAND
Y	YELLOW

POWER CIRCUIT

BATTERY TERMINAL OF INTEGRAL LIGHTING SWITCH & CIRCUIT BREAKER.

CIRCLED LETTERS THUS INDICATE CONNECTIONS **(A)**

4-WAY SEAT REGULATOR CIRCUIT

**WIRING DIAGRAM- 4-WAY SEAT REGULATOR CIRCUIT
MODELS - ALL**